

Pull Handle

Stainless Steel Range





Pull Handle

Stainless Steel Pull Handle





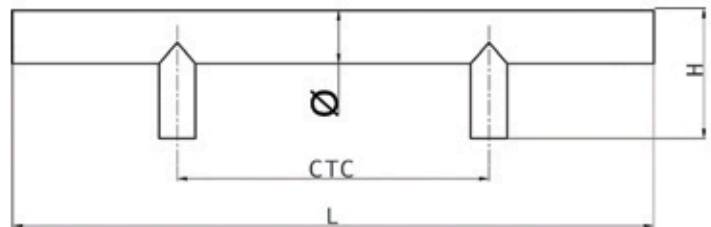
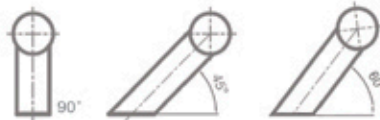
UNITY

Stainless Steel Pull Handle

At Unity Hardware,
we believe that every door is a gateway
and your opportunity to make the first impression.
Having been working on the stainless steel pull handle for many years,
Unity now presents you a complete range of pull handles.
By incorporating the superior material, outstanding finish and a variety of
styles, you will easily find the balance of simplicity and flexibility in this line.
Therefore, we hope you will have a good first impression from this catalogue
and help you succeed in the business.

Pull Handle Designs.....	4-8
Finishes.....	9
Quality Assurance.....	9
Applications and Fixings.....	10-11

T-Shape

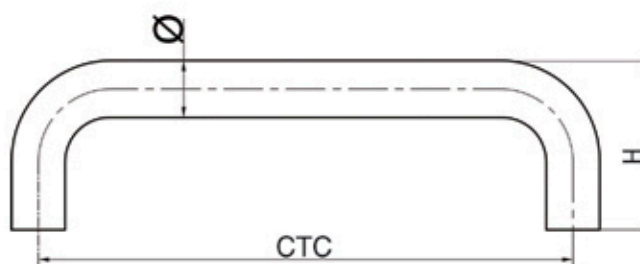


Ø	L	H	CTC
19	330	59	210
19	400	59	200
32	400	77	200
32	600	77	400
32	800	77	600



U-Shape

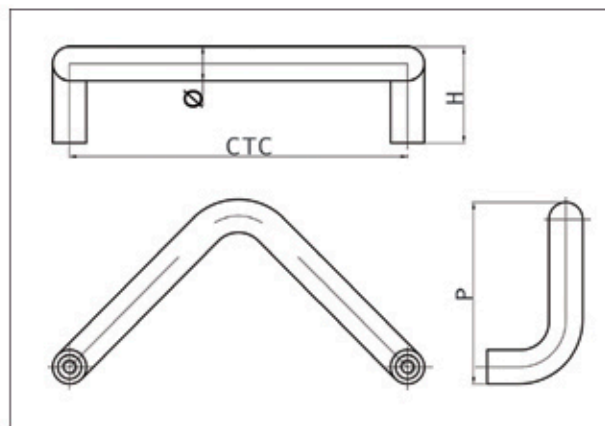
Ø	CTC	H
19	150	65
19	225	65
19	300	65
22	150	68
22	225	68
22	300	68
25	400	83
25	600	83
32	600	83
32	800	83
32	1000	83



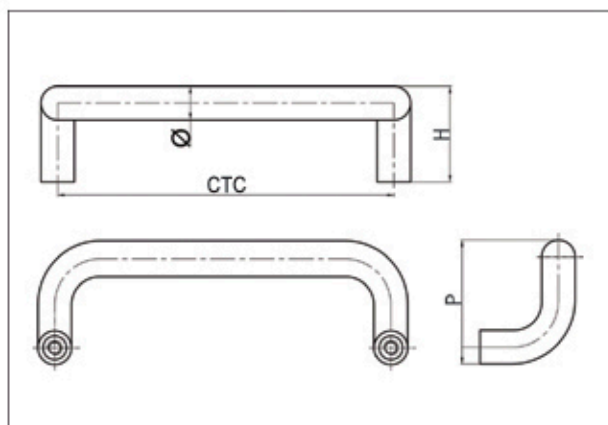


V-Shape

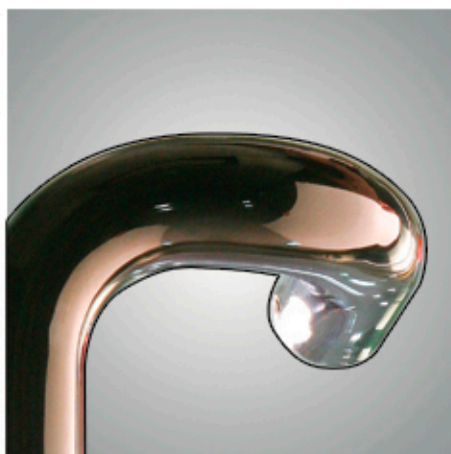
Ø	CTC	H	P
25	350	82	150
32	400	82	150



D-Shape

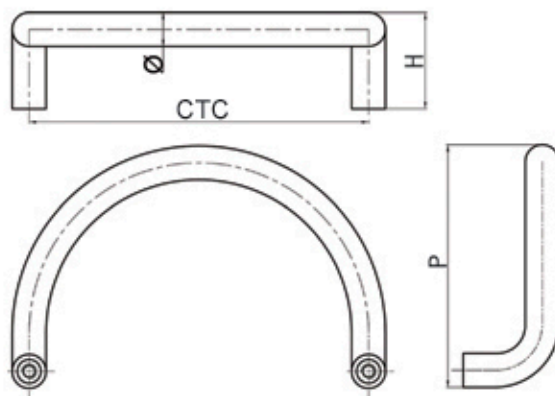


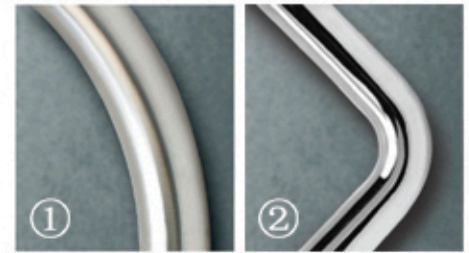
\varnothing	CTC	H	P
19	250	80	110
25	300	80	110
32	400	85	115
32	600	85	115



C-Shape

Ø	CTC	H	P
25	300	82	192
32	300	82	206





- ① Satin
- ② Polished
- ③ PVD Titanium
- ④ PVD Black tone



Stainless Steel Pull Handle Finishes

Unity offers the following finishes on all styles and sizes of the pull handles.

- Satin Stainless Steel
- Polished Stainless Steel
- Stainless Steel PVD Titanium
- Stainless Steel PVD Black Tone

The natural Satin and Polished stainless steel are our primary finishes. The refined linen-polishing reveals the elegant natural luster of nickel, while the bright polished finish highlights the natural chrome. PVD (Physical Vapor Deposit) coating on Stainless Steel improves hardness and wear resistance, it creates the state-of-art and life-time decorative finishes.

Quality Assurance

Unity endeavors to achieve the highest standards of quality. "Get it right the first time" and "Attention to detail", these are our mottos. We constantly monitor the production process; develop gauges, tools and control procedures; we also invested in testing facilities checking from material to functionality. We explore various technologies and experiment new approaches; they lead to more efficient and effective way of production. We also have a team of engineers who work diligently with our customers in new product developments. Please feel free to discuss with us your market requirements and products mostly suite your market needs.

Applications and Fixings

Unity Pull Handle cover a wide range of applications in both commercial and residential door industry. Whether it's a glass, PVCu frame, wood, composite, aluminum or hollow metal door, we have a selection of fixing methods to suit nearly every application.

We may supply a complete Fixing Packs that can be used for any design or size pull handle and allows for the greatest flexibility for different applications and fixing requirements, while helping you maintain the minimum stock level.



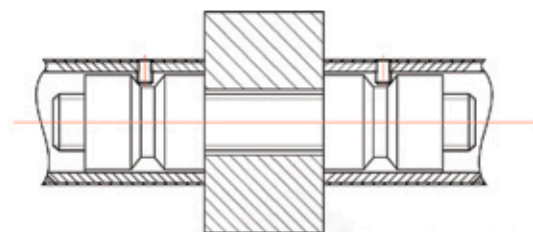
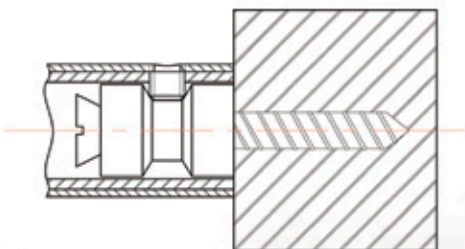
Single Side Screw Fixing

- Single pull handle in any design or size
- Fixture pack:
 - Universal adaptor and grab screws
 - Self-tapping screws
 - Screw length subject to door thickness



Back-to-Back Fixing

- Pull handle pair in any design or size
- Fixture pack for all door type:
 - Universal adaptor and grab screws
 - 75mm Thru bolts for door thickness 13mm to 50mm
 - 100mm Thru bolts for door thickness over 50mm
 - Clear nylon washers for glass door applications



Suitable for Φ 25mm and 32mm Tube

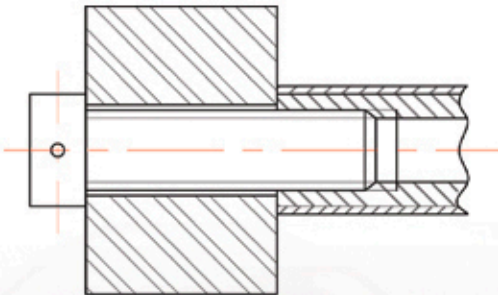


Suitable for Φ 19mm Tube



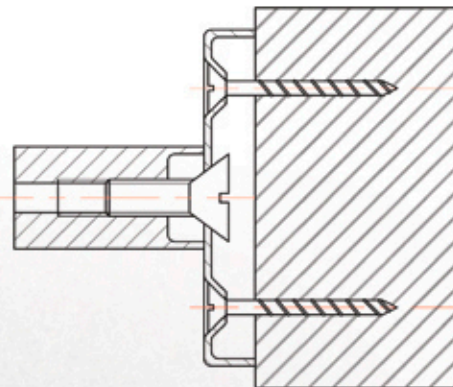
Single Side Bolt Through Fixing

- Single pull handle any design or size
- Fixture pack for **Hollow Metal Door**:
Universal adaptor and grab screws
75mm Thru bolts for door thickness 13mm to 50mm
100mm Thru bolts for door thickness over 50mm
Clear nylon washers for glass door applications



On Roses Concealed Fixing

- Single pull handle in any design or size
- Fixture pack for all door types:
Stainless Steel Roses Dia.53 x 8mm
Roses fixed to handle by M8 bolts
Roses with concealed fixing by wood screw or self-taping screws
* Other roses dimensions available to order.



UNITY HARDWARE LIMITED

14th Floor North Block, No. 77 Mu Xu Yuan Street

Nanjing 210007

P.R.CHINA

TEL: +86.25.8693.2520

FAX: +86.25.8693.2510

Email: sales@unityhardware.com